

## Section 3 - TR-24 Beltpack

### Controls and Connections



Top View



Bottom View

- Volume Control and Power Switch** - Turns the beltpack power on/off and controls headset volume.
- Battery Light/Power Light** - Indicates the beltpack has power, either from the internal battery or AC power connected to the unit.
  - GREEN - Battery Indication: battery OK
  - RED - Battery Low (x15 minutes left)
  - NO Light - Battery Depleted
- Button One and Light** - Selects audio channel one. The channel light has two modes depending on the <TALK> button's state.
  - Light Solid - Talk and Listen enabled.
  - Light Flashing - Listen only enabled. (Push-to-TX)
- Talk Button** - Enables the headset microphone. The button has two modes:
  - Momentary - Pressed and held for over 1/2 second.
  - Latch-on/off - Tap button and the microphone path is enabled. Tap again to turn off.
- Button Two and Light** - Selects Audio channel two. The channel light has two modes depending on the <TALK> button's state.
  - Light Solid - Talk and Listen enabled.
  - Light Flashing - Listen only enabled. (Push-to-TX)
- Charge Jack** - Used to charge the internal battery or power unit directly off wall outlet. Accepts a 4.5mm x 2.5mm plug with the center positive. Must be supplied with a 12VDC regulated power supply with at least a 400mA current capacity.
- Charge Light**
  - RED - Beltpack battery is charging.
  - GREEN - Beltpack battery is charged.
- Headset Connector** - Standard 4-pin XLR connector.
  - (1) Microphone (Shield)
  - (2) Microphone (Audio)
  - (3) Headsetphone (Low)
  - (4) Headsetphone (High)
- Configuration Jack** - RJ-45 jack used to interface the beltpack to an Ethernet cable. Jack may be used for wired mode and configuring the beltpack.

3-1

**File Name:** btr manual.pdf

**Size:** 4046 KB

**Type:** PDF, ePub, eBook

**Category:** Book

**Uploaded:** 8 May 2019, 13:10 PM

**Rating:** 4.6/5 from 562 votes.

**Status: AVAILABLE**

Last checked: 4 Minutes ago!

**In order to read or download btr manual ebook, you need to create a FREE account.**

[\*\*Download Now!\*\*](#)

eBook includes PDF, ePub and Kindle version

[Register a free 1 month Trial Account.](#)

[Download as many books as you like \(Personal use\)](#)

[Cancel the membership at any time if not satisfied.](#)

[Join Over 80000 Happy Readers](#)

### Book Descriptions:

We have made it easy for you to find a PDF Ebooks without any digging. And by having access to our ebooks online or by storing it on your computer, you have convenient answers with btr manual . To get started finding btr manual , you are right to find our website which has a comprehensive collection of manuals listed.

Our library is the biggest of these that have literally hundreds of thousands of different products represented.



## Book Descriptions:

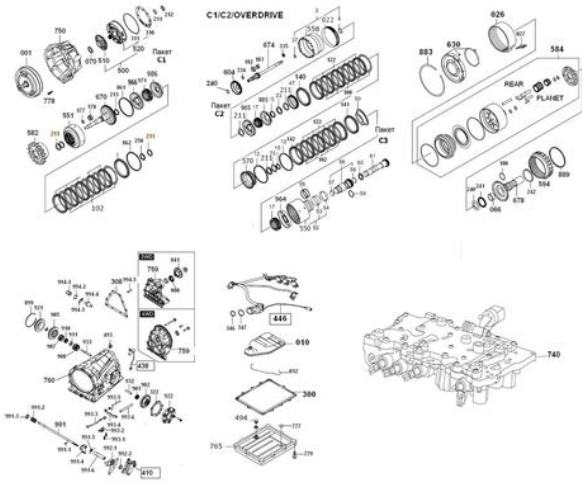
### **btr manual**



The receipt must clearly list the date of purchase and the part number, in addition it should be printed. Op de aankoopbon moeten de aankoopdatum en productomschrijving duidelijk vermeld staan. Find out more on how we use cookies and how you can change your settings. The BTR800 system includes the BTR800 frequencyagile base station, working with up to four TR800 or TR825 frequencyagile belt packs. The BTR800 base station provides full duplex communications with the belt packs. The BTR system incorporates two audio channel operation, permitting the belt pack operator to choose between two separate audio channels of communications, with the base station tracking the belt pack selection. This allows the user the flexibility to create a party line and a private line within the same belt pack. The BTR800 system is perfectly suited for standalone operation and can interface with AudioCom, RTS TwoWire Intercom, ClearCom as well as RTS Digital Matrix Intercom systems and other fourwire communications systems. In addition to the external intercom systems interfaces listed above, the system provides connections for auxiliary balanced audio input and output, as well as wireless talkaround WTA and stage announce SA features. The RadioCom BTR series has been designed for reliable, efficient operation. Operating in the 470 to 740 MHz range, the units operate reliably at lineofsight distances of 1,000 feet. With available antenna systems, from RadioCom, the effective operating range can be extended. With SBC supported. FeatureWhat's in the boxMain UnitUSB CableFront. Top View. Back. Side View. Setup your BTR1020Audio RLConnect USB A to micro USB adaptor cable, the micro USB end to the micro USB jacketPairing your BTR1020Tap on it. BTR1020 Now. And You can playDevices will show up,Receiver"The BluetoothPIN codesomeAnd In your Smartphone thereNote. Some devices, such as iPhone, will connect immediately after pairing so the LED will

ON.<http://anaheimmachining.com/admin/images/dccd-manual.xml>

- **btr manual controller, btr manualized, btr manual valve body, btr 800 manual, btr m11 manual, btr 700 manual, btr 302 manual, btr 240 manual, btr m74le manual, btr 80n manual, btr manual, btr manager, btr manufacturing, btr manduel, btr management, btr manufacturing paul id, bt manual, bt manual pallet jacks, btr manufacturing, btr manufacturing paul id, krack btr manual.**



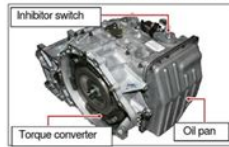
Other devices, such as notebook, may ask you if you wish to connect and LED will go. It means that you have to enter the PIN code once for each device. You can play the music now. Just play music on your device as you normally would and the Note the effective range of BTR1020 is 33 feet 10M. light of sight. If you hold and Reconnecting your device. Smartphone, BTR1020 will disconnected from your device. To reconnect, simply open the. Bluetooth manager and tap on the "Music Receiver", then you do not need to input PIN again, Adding a new phone or tablet Out of range or lost signal. When the paired phone or device away from receiver 33 feet or there is something The LED light will go off, it means the connection between device To avoid a lost connection BTR1020 again. Please follow the "Reconnect Your Device" section. Indication Description. Flash once 1 sec per Power on. Waiting for connection. Permanent Lighted Device and main unit are connected. Troubleshooting. You can solve your problems from this section. No music out from my stereo speaker Changes or modifications not expressly approved by the party responsible for This device complies with part 15 of the FCC Rules. Operation is subject to the Part. Part 15B compliance statement PDF Version 1.4. Linearized No. Page Count 9. Producer AFPL Ghostscript 8.53. Create Date 20140227 160617. Modify Date 20140227 160617. Title BTR1020 manual. Creator FreePDF 4.02 . Author chartonr. Multipoint functionality allows you to manage calls and media from two phones or tablets simultaneously. If you are not satisfied with your product, contact MEE audio to help resolve your issues. To view the manual in pdf format click here. Be the first to review this product! Please try again. Please try again. Then you can start reading Kindle books on your smartphone, tablet, or computer no Kindle device required. <http://eastnwest-usa.com/userfiles/dccd-manual-controller.xml>

## DSI 6 SPEED AUTO TRANSAXLE

0000-00

## GENERAL INFORMATION

## 1. GENERAL INFORMATION



## ► Automatic transaxle (M11)

The Model 11 six speed automatic transaxle is available in two variants: four wheel drive and two wheel drive.

- Six forward speeds
- One reverse gear
- A torque converter with an integral converter lock-up clutch with slip control capabilities
- Electronic shift and pressure controls
- A single planetary gear-set
- A double planetary gear-set
- One hydraulically controlled brake bands
- Three multi-plate clutches
- One multi plate brake
- All hydraulic functions are directed by electronic solenoids to control:

- 1) Engagement feel
- 2) Shift feel
- 3) Shift scheduling
- 4) Modulated torque converter clutch applications

## ► TCU (located under driver's seat)

TCU is located under the driver's seat and controls the transaxle operations.

TCU is activated and deactivated by the ignition voltage, and connected to the transaxle through pin 26 in connector.

TCU receives and uses the signals from sensors and switches through CAN bus with analog and digital types.



|                    |  |
|--------------------|--|
| Modification items |  |
| Application items  |  |
| Revised items      |  |

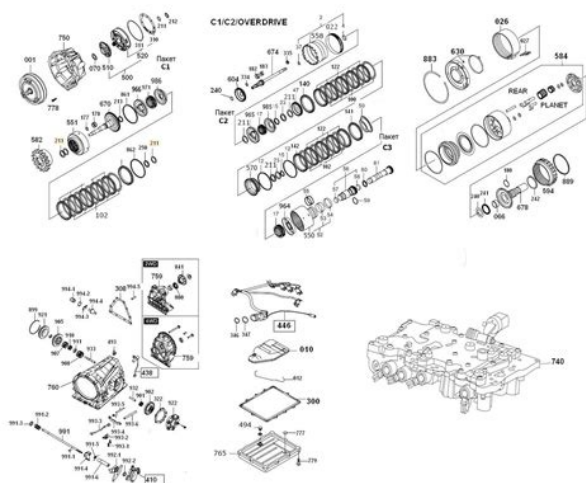
DSI 6 SPEED AUTO TRANSAXLE  
KORANDO 2013.08



Register a free business account If you are a seller for this product, would you like to suggest updates through seller support To calculate the overall star rating and percentage breakdown by star, we don't use a simple average. Instead, our system considers things like how recent a review is and if the reviewer bought the item on Amazon. It also analyzes reviews to verify trustworthiness. Learn more opens in a new window or tab This amount is subject to change until you make payment. For additional information, see the Global Shipping Programme terms and conditions opens in a new window or tab This amount is subject to change until you make payment. If you reside in an EU member state besides UK, import VAT on this purchase is not recoverable. For additional information, see the Global Shipping Programme terms and conditions opens in a new window or tab Delivery times may vary, especially during peak periods and will depend on when your payment clears opens in a new window or tab. Learn More opens in a new window or tab Learn More opens in a new window or tab Learn More opens in a new window or tab Learn More opens in a new window or tab Learn More opens in a new window or tab See the sellers listing for full details. Contact the seller opens in a new window or tab and request a postage method to your location. Please enter a valid postcode. Please enter a number less than or equal to 7. Sellers may be required to accept returns for items that are not as described. Learn more about your rights as a buyer. opens in a new window or tab You're covered by the eBay Money Back Guarantee if you receive an item that is not as described in the listing. All Rights Reserved. User Agreement, Privacy, Cookies and AdChoice Norton Secured powered by Verisign.

Chapter 17 80386 Instruction Set prev BTC Bit Test and Complement next BTS Bit Test and Set BTR saves the value of the bit indicated by the base first operand and theCF as described aboveInterrupt 13 if any part of the operand would lie outside of the effectiveThe index of the selected bit can be given by the immediate constant in theOnly an 8bit immediateThis operand is taken modulo 32, so theFor memory bit strings, this immediate field givesImmediate bit offsetsIt may do so even when only a single byte needsYou must therefore avoidIn particular. Instead, use the Chapter 17 80386 Instruction Set prev BTC Bit Test and Complement next BTS Bit Test and Set. By continuing to use gembird.com, you consent to the use of cookies. Detailed information about cookies and how you can prevent their use at any time can be found in our Privacy policy. Something went wrong.Learn more opens in a new window or tab This amount is subject to change until you make payment. For

additional information, see the Global Shipping Program terms and conditions opens in a new window or tab This amount is subject to change until you make payment. For additional information, see the Global Shipping Program terms and conditions opens in a new window or tab Learn more opens in a new window or tab Learn more opens in a new window or tab Learn more opens in a new window or tab Learn more opens in a new window or tab Learn more opens in a new window or tab XR5 Turbo 19982005 WORKSHOP SERVICE REPAIR MANUAL 705.23 RUB Free shipping FORD FALCON AU 19982002 SERIES I II III WORKSHOP SERVICE REPAIR MANUAL 469.63 RUB Free shipping Toyota Land Cruiser J100 19982007 WORKSHOP SERVICE REPAIR MANUAL 705.23 RUB Free shipping Fiat 500 20072014 Workshop Service Repair Manual 757.47 RUB Free shipping Ford Ranger 20172019 Workshop Service Repair Manual 757.47 RUB Free shipping Kia Sportage SL 20102016 Workshop Service Repair Manual 757.47 RUB Free shipping See the sellers listing for full details.



<http://www.drupalitalia.org/node/72522>

Contact the seller opens in a new window or tab and request postage to your location. Please enter a valid postcode. Please enter a number less than or equal to 48. If you dont follow our item condition policy for returns, you may not receive a full refund. Refunds by law In Australia, consumers have a legal right to obtain a refund from a business if the goods purchased are faulty, not fit for purpose or dont match the sellers description. More information at returns. All Rights Reserved. Adopted by Buckmasters in the mid1990s, the FullCredit Scoring System abandons the punitive pursuit of symmetry and simply gives a rack credit for the full amount of antler present. Click here to download the pdf version of the handbook.Montgomery, Alabama Email SignUp 8002403337. Only an 8bit immediate value is used in the instruction. This operand is taken modulo 32, so the range of immediate bit offsets is 0.31. This allows any bit within a register to be selected. For memory bit strings, this immediate field gives only the bit offset within a word or doubleword. Immediate bit offsets larger than 31 or 15 are supported by using the immediate bit offset field in combination with the displacement field of the memory operand. The loworder 3 to 5 bits of the immediate bit offset are stored in the immediate bit offset field, and the highorder 27 to 29 bits are shifted and combined with the byte displacement in the addressing mode.It may do so even when only a single byte needs to be accessed in order to reach the given bit. You must therefore avoid referencing areas of memory close to address space holes. Instead, use the MOV instructions to load from or store to these addresses, and use the register form of these instructions to manipulate the data.

<http://charlescarteronline.com/images/bose-3-2-1-owner-s-manual.pdf>

