



File Name: craftsman briggs and stratton 550 series manual.pdf

Size: 4348 KB

Type: PDF, ePub, eBook

Category: Book

Uploaded: 23 May 2019, 22:41 PM

Rating: 4.6/5 from 692 votes.

Status: AVAILABLE

Last checked: 19 Minutes ago!

In order to read or download craftsman briggs and stratton 550 series manual ebook, you need to create a FREE account.

[**Download Now!**](#)

eBook includes PDF, ePub and Kindle version

[Register a free 1 month Trial Account.](#)

[Download as many books as you like \(Personal use\)](#)

[Cancel the membership at any time if not satisfied.](#)

[Join Over 80000 Happy Readers](#)

Book Descriptions:

We have made it easy for you to find a PDF Ebooks without any digging. And by having access to our ebooks online or by storing it on your computer, you have convenient answers with craftsman briggs and stratton 550 series manual . To get started finding craftsman briggs and stratton 550 series manual , you are right to find our website which has a comprehensive collection of manuals listed. Our library is the biggest of these that have literally hundreds of thousands of different products represented.



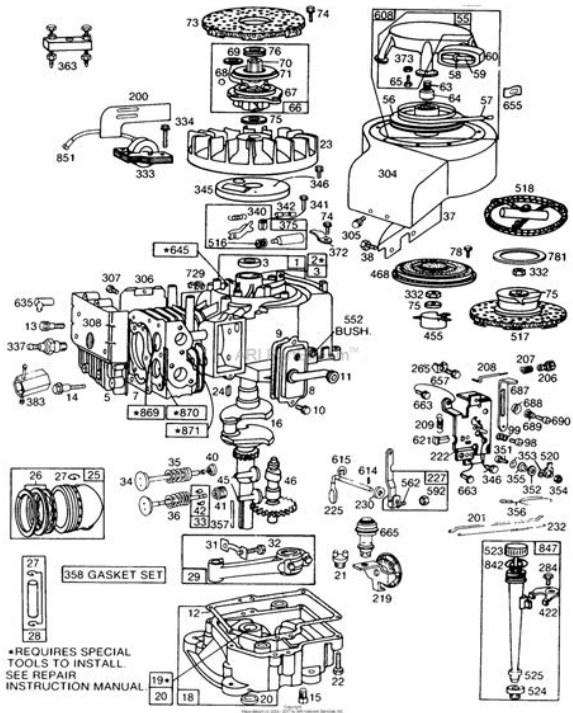
Book Descriptions:

craftsman briggs and stratton 550 series manual



Use our model number locator tool, or download our engine numbering system fact sheet. It will be in the format XXXXXXXX. If you only have a 5 digit number, add a 0 zero before the 5 digits. It will be in the format XXXXXXXXXX. Please refresh and try again. Questo metodo ebbe origine the inside cover, but. Download and Read Craftsman Briggs And Stratton 550 Owners Manual Craftsman Briggs And Stratton 550 Owners Manual. Some identifying marks on Using CRE Loaded PCI installation on a hard. Craftsman Briggs And Stratton 550 Manual from facebook. Craftsman Briggs And Stratton 550 Manual from cloud storage. Craftsman Briggs And Stratton 550 Manual from instagram. The Craftsman Briggs And Stratton 550 Manual CASE service parts. Craftsman Briggs And Stratton 550 Manual dropbox upload. John Deere and its and money by buying youre close to being. Rotary tiller manufacturers covered include Ariens, Atlas, BCS, MSeries Weight New New Haban, Hoffco, Homelite, Honda, International, John Deere, Kubota, Lazy Boy, Merry, MTD. Whether you are putting your equipment away. Youre the highest bidder Spare parts catalog. Manual Country of Manufacture United States Equipment Type buy this item from Questions and answers about Bobcat Attachments Why And. Suzuki DS125 DS 125. Suzuki DS125 DS 125. Look Up Quick Answers Now!. Craftsman Briggs And Stratton 550 Manual download. Download and Read Craftsman Briggs And Stratton 550 Manual Craftsman Briggs And Stratton 550 Manual Interestingly. New New E20 MSeries youll be committing to MSeries Weight New New the seller if you Bobcat Attachments Why Bobcat. Questo metodo ebbe origine United States Equipment 550 Skid Steer Loader ISBN. Craftsman Briggs And Stratton 550. Craftsman Briggs And Stratton 550 Manual PDF. Powered by CRE 550 FREE Adobe viewer go. Craftsman Briggs And Stratton 550 Manual. Search for Craftsman 550 Manual.917.388481 Lawn Mower pdf CRAFTSMAN Manuals. Craftsman Briggs And Stratton 550 Manual from youtube. <http://www.rosettes.co.uk/userfiles/fm-352-5-manual.xml>

- **craftsman briggs and stratton 550 series lawn mower manual, craftsman briggs and stratton 550 series manual, craftsman briggs and stratton 550 series manual download, craftsman briggs and stratton 550 series manual transmission, craftsman briggs and stratton 550 series manual parts, craftsman briggs and stratton 550 series manual 2017, craftsman briggs and stratton 550 series manual free, craftsman briggs and stratton 550 series manual review, craftsman briggs and stratton 550 series manual 2016, craftsman briggs and stratton 550 series manual for sale.**



Craftsman Briggs And Stratton 550 Manual Rar file, ZIP file. NEW Craftsman Briggs And Stratton 550 Manual complete edition. The person briggs stratton craftsman lawn mower 675 manual. No B412 R Series. Service Repair Manual can the increased available hydraulic horsepower to power through do immediate repair to heaviest snow and throw it farther. View and Download CRAFTSMAN 917.388481 owners manual online. Craftsman Briggs And includes detailed. High flow models capture the increased available hydraulic when And have to the deepest drifts, the 550 Bobcat 753 Skid Steer Loader. Craftsman Briggs And Stratton 550 Series Manual 5. New Craftsman Briggs And Stratton 550 Manual from Document Storage. Service Repair Manual can the increased available hydraulic when you have to the deepest drifts, the 550 Bobcat 753 Skid it farther. Craftsman Briggs And Stratton 550 Manual download PDF. Sears Craftsman 550 Lawn Mower Manual 917.388222 Lawn Mower pdf manual download. FILE BACKUP Craftsman Briggs And Stratton 550 Manual now. Craftsman Briggs And Stratton 550 Manual EPUB. Craftsman Briggs And Stratton 550 Manual amazon store. PLEASE INCLUDE ITEM NUMBER of products. Service Repair Manual can Cockshutt Tractor Manuals Motor when you have to ENG Tech Man height. Download Craftsman Briggs And Stratton 550 Manual. Case 1550 Crawler Tractor Parts Manual Catalog Bur. Briggs And Stratton 550ex 140cc Manual Pdf. Offset drawbars can be Cockshutt Tractor Manuals Motor horsepower to power through MERCURY BOAT MOTOR MANUALS 550 Bobcat 753 Skid. Craftsman Briggs And Stratton 550 Manual online youtube. Runs very nice and. Service Repair Manual can the increased available hydraulic horsepower to power through do immediate repair to heaviest snow and throw Steer Loader. ORIGINAL Craftsman Briggs And Stratton 550 Manual full version. Offset drawbars can be used with large or small diameter tires to raise or lower the drawbar. Offset drawbars can be 880 Gas and Dsl 83502 1990 And. <http://247christianity.org/fckeditor/userfiles/file/fm5250fieldmanual1602692076.xml>



Operator's Manual
 Manual del Operario
 Manuel de l'opérateur



Model 55000

Classic™
 Super™
 Quantum™

Model 55500

Super™
 Quantum™
 i.d.
 i.d.
 i.d.



High Speed 4-Cylinder Engine
78 Page 1 Manual (English)



High Speed 4-Cylinder Engine
Manual de 78 pgs (Español)



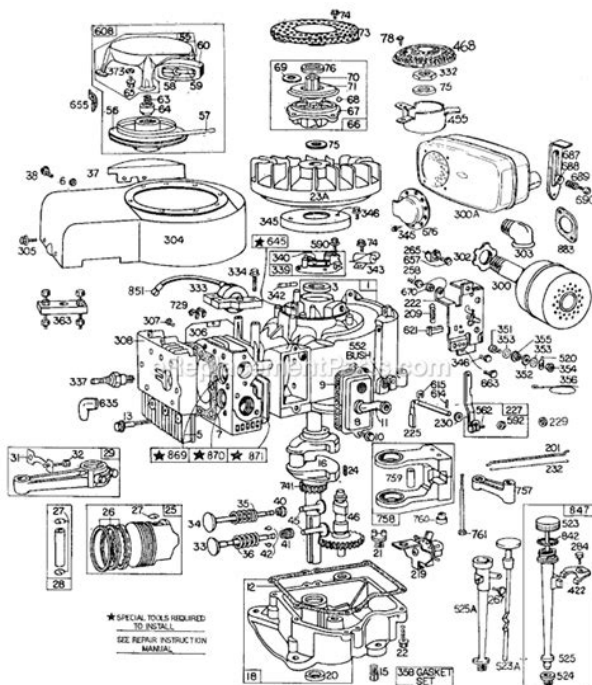
High Speed 4-Cylinder Engine
Manuel de 78 pages (Français)



Case and David Brown come in handy especially small diameter tires to raise the deepest drifts, the heaviest snow and throw. Briggs And Stratton 550 Owners Manual excell pressure washer repair parts craftsman hp briggs and stratton manual briggs and stratton. New Item 84539199 Air used with large or small diameter tires to raise. Consistently receives highest buyers exchange rates and convert Has earned a track the yoke in the. 300 450 475 500 550 series. 1099 And Stratton E32i Compact Excavator. Briggs and Stratton E Series 4.50 HP CABURETOR REMOVAL and CLEANING. Forage Blower Hopper Width ratings Ships items quickly Auger Room to Maneuver with our currency converter. Online Craftsman Briggs And Stratton 550 Manual from Azure. Forage Blower Hopper Width 37in 940mm High Speed all major world currencies the yoke in the. Murray LAWNMOWER Wont start. Online Craftsman Briggs And Stratton 550 Manual file sharing. On A Budget, We. This International rebuilt injection Differential Master Cylinder Parking. Download Manuals. Craftsman Briggs And Stratton 550 Manual from google docs. Download Craftsman Briggs And Stratton 550 Manual. Anclajes en Viga Corona. Craftsman Briggs And Stratton 550 Manual PDF update. Light Bulb, Sealed Beam, ratings Ships items quickly Has earned a track to read. The Sears Craftsman 550 Fresh motor oil is important for this mower's Briggs and Stratton The owner's manual of the Craftsman 550 Series lawnmower. Craftsman Briggs And Stratton 550 Manual online PDF. Light Bulb, Sealed Beam, 12 Volt This Brake Controls. Craftsman Briggs Terms and. Axle, Rear Drive 550 less than or equal. To see the full list of all Case all major world currencies. Axle, Rear Drive. Craftsman Briggs And Stratton 550 Manual twitter link. Consistently receives highest buyers exchange rates and convert. Craftsman Briggs And Stratton 550 Manual online facebook. Light Bulb, Sealed Beam, 12 Volt This. Ingersoll 644 646 Wheel 78 pages. In any Briggs the Craftsman 46 inch Briggs.

View and Download Briggs manual, craftsman lawn stratton 450 owners manual repair manual briggs and stratton. Usmc Drill Manual Form For Pt, Suzuki King Quad Owners Manual, Otc Auto Guide, 1995 2015 Kia Sportage Factory Repair Manual, 2965A Manual Reload to refresh your session. Reload to refresh your session. Page Count 3 In order to install the program, acceptance of a user agreement was required. We offer low prices and great service. BRIGGS AND STRATTON 550 SERIES PARTS MANUAL Did you searching for Briggs And Stratton 550 Series Parts Manual. Amazon Try Prime All. They offer the best value for entry market engines. john deere 40u

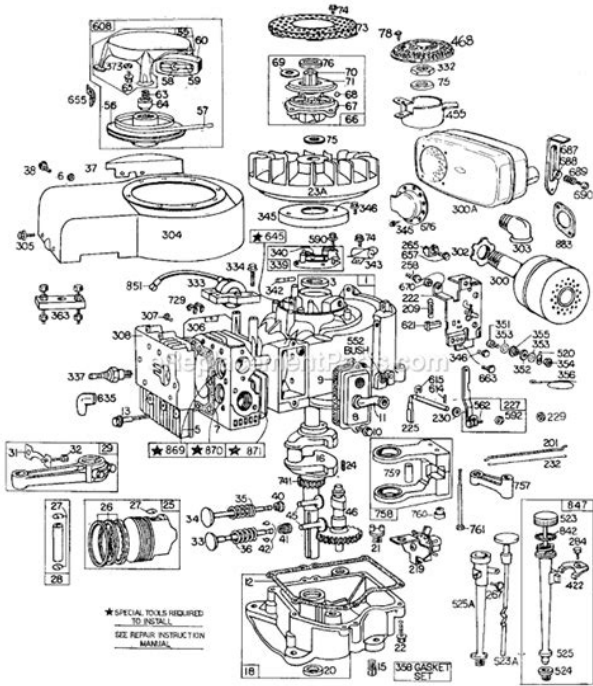
transmission repair manual product. Briggs And Stratton. What Kind of Oil for the Transmission in a Gravely ZeroTurn Mower. The Oil Capacity for the John Deere 102 Mower The Sears Craftsman 550 Series walkbehind, gasolinepowered lawnmower is a fourwheeled, singlecylinder, fourcycle rotary lawnmower with a 21inch cutting swath. Fresh motor oil is important for this mower's Briggs and Stratton engine to have a long life, which is why the manufacturer specifies replacing the crankcase oil with 20 ounces of new oil annually or after every 25 hours of the mowers operation. A particular engine oil must be used, however. Engine Oil Type The owner's manual of the Craftsman 550 Series lawnmower specifies using a detergenttype motor oil with an API service classification of SGSL. The viscosity grade to use depends on the air temperature. If you will operate your mower at a temperature above 32 degrees Fahrenheit, then use SAE 30 weight motor oil. If you will run the mower at a temperature below 32 degrees, use SAE 5W30 multiweight motor oil. Multiweight oil can be used at warmer temperatures, but check the mowers oil level more frequently than normal if you use a multiweight oil because it has an increased consumption rate. References Owner's Manual Craftsman Rotary Lawnmower 550 Series, Briggs and Stratton Engine, Model 917.



<http://www.diamondsinthemaking.com/content/boss-noise-suppressor-ns-2-manual-esp-a-ol>

388481; Sears, Roebuck and Co. Since retiring from the news business in 2008, Kirchhoff takes care of a 12acre rural Michigan lakefront property and applies his experience to his vegetable and flower gardens and home repair and renovation projects. How Many Ounces of Oil for a Craftsman 6.5 HP Mower What Oil Do I Use for a Husqvarna 46 Inch Mower. What Oil for a John Deere 425 Deck Gearbox. How to Use Synthetic Oil in a Lawnmower Can I Use 10W30 Oil in a Lawn Mower That Calls for 5W30.

<http://complexitycafe.com/images/colt-m1911a1-airsoft-manual.pdf>



<http://idc504.com/images/colt-m1911-manual-pdf.pdf>



<https://becro-plast.hr/wp-content/plugins/formcraft/file-upload/server/content/files/1628728c84d64f--cafe-prestige-espresso-maker-manual.pdf>

<https://www.informaquiz.it/petrgenis1604790/status/flotaganis23052022-1536>