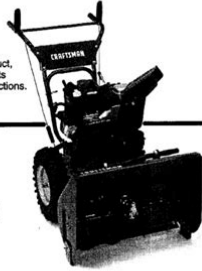


**CRAFTSMAN**

Operator's Manual

**Snow Thrower**  
8.5 Horsepower  
Electric Start  
27" Dual Stage  
Model 536.881851

**CAUTION:** Before using this product, read this manual and follow all of its Safety Rules and Operating Instructions.



Manual del usuario

**Quitanieves**  
8.5 caballos de fuerza (hp)  
Arranque eléctrico  
27" Bietápico  
Modelo 536.881851

**PRECAUCIÓN:** Antes de usar este producto, lea este manual y siga todas las reglas de seguridad e instrucciones de operación.

Sears, Roebuck and Co., Hoffman Estates, IL 60179 U.S.A.  
19828 Rev. 1 07.19.05 BY www.sears.com/craftsman Printed in U.S.A.

**File Name:** craftsman snow blowers manual.pdf

**Size:** 4662 KB

**Type:** PDF, ePub, eBook

**Category:** Book

**Uploaded:** 16 May 2019, 12:53 PM

**Rating:** 4.6/5 from 636 votes.

**Status: AVAILABLE**

Last checked: 12 Minutes ago!

**In order to read or download craftsman snow blowers manual ebook, you need to create a FREE account.**

[\*\*Download Now!\*\*](#)

eBook includes PDF, ePub and Kindle version

[Register a free 1 month Trial Account.](#)

[Download as many books as you like \(Personal use\)](#)

[Cancel the membership at any time if not satisfied.](#)

[Join Over 80000 Happy Readers](#)

## Book Descriptions:

We have made it easy for you to find a PDF Ebooks without any digging. And by having access to our ebooks online or by storing it on your computer, you have convenient answers with craftsman snow blowers manual . To get started finding craftsman snow blowers manual , you are right to find our website which has a comprehensive collection of manuals listed.

Our library is the biggest of these that have literally hundreds of thousands of different products represented.



## Book Descriptions:

# craftsman snow blowers manual



### Operator's Manual

**Snow Thrower**  
8.5 Horsepower  
Electric Start  
27" Dual Stage

Model 536.881851

**CAUTION:** Before using this product, read this manual and follow all of its Safety Rules and Operating Instructions.



### Manual del usuario

**Quitanieves**  
8.5 caballos de fuerza (hp)  
Arranque eléctrico  
27" Bietápico

Modelo 536.881851

**PRECAUCIÓN:** Antes de usar este producto, lea este manual y siga todas las reglas de seguridad e instrucciones de operación.

Sears, Roebuck and Co., Hoffman Estates, IL 60179 U.S.A.  
198928 Rev. 1.07.19.05 BY [www.sears.com/craftsman](http://www.sears.com/craftsman) Printed in U.S.A.

On the other hand, if you purchased it used from another source, the manual may very well not have been included with the snowblower. This can present a problem when it comes time to replace parts on your snowblower or make sure it is fully operational for the winter season. It is also possible that you misplaced the owner's manual, which is a frequent occurrence with outdoor equipment, especially when it is not used frequently. Regardless of whether you never had it in the first place or it was misplaced though, the important thing is that Craftsman snowblower and other product manuals are freely available online. You just have to know where to look. After all, if you know your way around your snowblower and how to operate it, you may think you know all you need to know about it. However, you should keep in mind that although the Craftsman brand is renowned for its longlasting, durable products, parts will break or wear out from time to time, especially with heavy use, and will need to be replaced. At times like these, it helps to know the name of the part to be replaced, its size and specifications, and your snowblower's model number. Otherwise, you may have trouble finding it or inadvertently choose and install the wrong part, which could damage or cause your snowblower to operate improperly. This information is contained in Craftsman snowblower manuals. Craftsman manuals also contain a guide for troubleshooting any issues that may arise in trying to operate your snowblower. This guide can help you resolve any problems yourself without having to take the snowblower in and have a service professional work on it. Needless to say, this guide can save you time and money and covers the most common operational issues with your snowblower. Finally, Craftsman manuals are valuable in that they describe how to assemble the snowblower, how to maintain it, how to operate it in a safe manner, and how to service or make adjustments to the snowblower yourself. <http://janaturismointegrato.com/uploads/ford-6640-service-manual.xml>

- **craftsman snow blowers manuals, sears snow blowers manuals, craftsman snow**

thrower manual 88970, craftsman snow blowers parts manual, sears snow thrower manual, craftsman snow blower attachment manual, craftsman snow blower repair manual, craftsman 88173 snow blower manual, craftsman snow blower service manual, craftsman electric snow blower manuals, craftsman snow blowers manual, craftsman snowblower manual, craftsman snow blowers manuals, craftsman snow blower manuals, craftsman snow blower manual pdf, craftsman snow blower manuals 31am62ee799, craftsman snowblower manual, craftsman snowblower manual canada, craftsman snowblower manual 247, craftsman snowblower manual 28.

Operator's Manual



30" SNOW THROWER

Model No. 247.88830



**CAUTION:** Before using this product, read this manual and follow all safety rules and operating instructions.

- SAFETY
- ASSEMBLY
- OPERATION
- MAINTENANCE
- PARTS LIST
- ESPAÑOL

Sears Brands Management Corporation, Hoffman Estates, IL 60179, U.S.A.  
Visit our website: [www.craftsman.com](http://www.craftsman.com)

FORM NO. 769-0537C  
8/06/2010

For example, it will tell you which attachments are compatible and how to adjust it for various snow clearing tasks you may need to perform. There are actually a few different sites that allow you to freely access digital copies of these manuals. They include [ManageMyLife.com](http://ManageMyLife.com), [ManualsOnline.com](http://ManualsOnline.com), and [SearsPartsDirect.com](http://SearsPartsDirect.com). Simply search by the make and model of your snowblower to find the right manual. If you don't know the model number, don't worry you can scroll through the list of Craftsman snowblower manuals and see the manual covers at a glance, which typically show a picture of the snowblower and some of the basic specs. As you can see, not having your original Craftsman snowblower manual is no cause for alarm. These manuals are easy to access as well as download through the websites mentioned above. Hopefully this information makes your snowblowing experience more enjoyable and saves you time when maintaining it. Call us at 418 5610709 Call us at 418 5610709 Call us at 418 5610709 You can download the software for free by clicking here To download your parts manual go check your emails or go to your account, History of your orders and download the pdf file of your parts manual. You can download the software for free by clicking here To download your parts manual go check your emails or go to your account, History of your orders and download the pdf file of your parts manual. You must select at least 1 quantity for this product.You can download the software for free by clicking here You can download the software for free by clicking here To download your parts manual go check your emails or go to your account, History of your orders and download the pdf file of your parts manual. G1E 4T1 Beauport. Canada. Owners manual English Manual For Craftsman Snowblower Model owners or better yet, repair

manual for a Craftsman

snowblower. [http://futbolfilms.com/userfiles/ford-7\\_3-diesel-manual-transmission.xml](http://futbolfilms.com/userfiles/ford-7_3-diesel-manual-transmission.xml)



**Operator's Manual**

**Snow Thrower**

8.5 Horsepower

Electric Start

27" Dual Stage

Model 536.881851

**CAUTION:** Before using this product, read this manual and follow all of its Safety Rules and Operating Instructions.



**Manual del usuario**

**Quitanieves**

8.5 caballos de fuerza (hp)

Arranque eléctrico

27" Bietápico

Modelo 536.881851

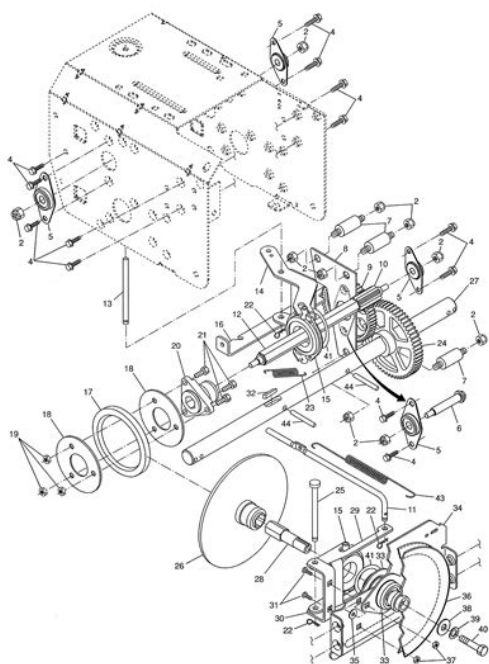
**PRECAUCIÓN:** Antes de usar este producto, lea este manual y siga todas las reglas de seguridad e instrucciones de operación.

Sears, Roebuck and Co., Hoffman Estates, IL 60179 U.S.A.  
198928 Rev. 1 07.19.05 BY [www.sears.com/craftsman](http://www.sears.com/craftsman) Printed in U.S.A.

Skip Find the user manual you need for your lawn and garden product and more at ManualsOnline Craftsman Manuals; Sears Double Insulated Snow Thrower Owners Manual. Manuals For Craftsman Snow Blowers So you lost your Sears is charging me for a manual for my snowblower. Sears Craftsman 24 Snow Thrower Manual Shop for CRAFTSMAN 24.How to Find Tech Support For Your Snow Thrower. Where to Buy Snow Thrower Parts Online.Reload to refresh your session. Reload to refresh your session. You can unsubscribe at any time.You can unsubscribe at any time.Attachment Capable Gas Hedge Trimmer Download the FREE Craftsman Smart Garage Door Opener app Craftsman Smart Garage Door Opene. Cada marca y cada cicatriz nos recuerdan de donde venimos y lo que hemos logrado. Por eso, este Mes de la Herencia Hispana,. The listed products may be covered by additional pat. If you do not find what you're looking for on this page, please call our customer service team for prompt answers to your questio. CRAFTSMAN pride is on the move, rolling out new products for the doers and dreamers among us. Follow the Movement Calling All Doers Remodeling a. Download the FREE Craftsman Smart Lock app Craftsman Smart Lock Tool Storage unloc. Learn about the illustrious legacy that is CRAFTSMAN Tools and how it's helping to shape, mold, meld and forge our futu. Guts of a Truck. Craftsman Pro Series riding mowers and ZTRs offer cuttingedge performance, strength, and durability. Check out some. You can unsubscribe at any time.You can unsubscribe at any time. User Manual We have provided a number of resources here to help you resolve CRAFTSMAN SNOW THROWER PARTS problems, find CRAFTSMAN SNOW THROWER PARTS you need, and suggest improvements to. Gas begins to degrade in as little as 30 days which can lead to your engines fuel system clogging and your equipment not starting the following season. STABIL Storage keeps fuel fresh for up to 24 months. If your snow blower is equipped with a fuel shutoff.

This will protect the carburetor from flooding and help prevent fuel spills. Road salts can damage your snow blower the same way they corrode a car's exterior.There are several common causes for a

snow blower failing to start. Ice, snow or debris can get lodged in your snow blower and prevent it from expelling snow. Before starting any snow blower repair, turn off your unit, bring it to the garage, and let the snow melt. Never use your hand to try and clear a clogged snow chute, even with the engine off. Always use a clean tool. This should clear up a clog. Restart the snow thrower outdoors to check that it is working. Be sure to reassess the snow blower checklist above, as well. They have trained personnel who will be happy to perform your betweenseason snow blower tuneups and are well equipped to anticipate developing problems before any serious issues arise. Please refresh and try again. Learn more opens in a new window or tab This amount is subject to change until you make payment. For additional information, see the Global Shipping Programme terms and conditions opens in a new window or tab This amount is subject to change until you make payment. If you reside in an EU member state besides UK, import VAT on this purchase is not recoverable. For additional information, see the Global Shipping Programme terms and conditions opens in a new window or tab Delivery times may vary, especially during peak periods and will depend on when your payment clears opens in a new window or tab. Learn More opens in a new window or tab Learn More opens in a new window or tab Learn More opens in a new window or tab Learn More opens in a new window or tab Learn More opens in a new window or tab The book cover has no visible wear, and the dust jacket No missing or damaged pages, no creases or tears, no underlining or highlighting of text, and no writing in the margins. May have no identifying marks on the inside cover. No wear and tear.

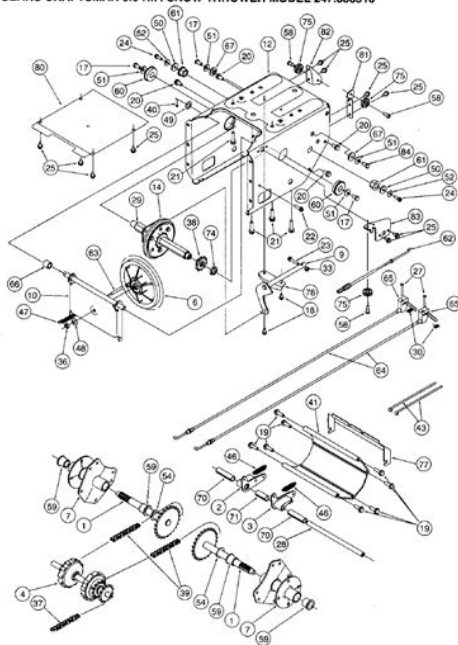


See the seller's listing for full details and description of any imperfections. Contact the seller opens in a new window or tab and request a postage method to your location. Please enter a valid postcode. Please enter a number less than or equal to 1. You're covered by the eBay Money Back Guarantee if you receive an item that is not as described in the listing. Find out more about your rights as a buyer opens in a new window or tab and exceptions opens in a new window or tab. All Rights Reserved. User Agreement, Privacy, Cookies and AdChoice Norton Secured powered by Verisign. Bauer Baxter D. Whitney and Sons Bazooka Beaver Tools Belkin Bell And Howell Belsaw Machinery Co. Berlin Machine Works Berry and Orton Co. Big Idea Bissell Black And Decker Black

Diamond saw and Machine Works Blue Star Products BoiceCrane Co. Buick Burgess Vibrocrafters Inc Burgmaster Corp Buss Machine Works C. B. Nelson and Co C. O. Porter CampBell Hausfeld Canada Machinery Corp. CanedyOtto Manufacturing Canon Capcom Carrier Casio centrios Century CerwinVega Channel Master CharBroil Charles H. Smith Chicago Machinery Exchange Cisco Clausing Industrial COBRA ELECTRONICS Coby Coleman Colladay Machine Works Colovos Combination Woodworking Machine Co. Comet Manufacturing companion Compaq Consolidated Machinery and Supply Continental Electric Cordesman Meyer and Co. Cowan and Co. Cozy Craftsman Creative Crescent Machine Co Criterion Crosley Crossbow Cub Cadet Cuisinart Curtis Curtis Mathes Cyber Acoustics CyberHome Cybex Daewoo Danby Daniel Doncaster DarraJames Davis and Wells Defiance Machine Works Deloach Mill Manufacturing Delphi Delta Denon DevilBliss Dewalt Diehard DIGIPOWER Directed Electronics Inc. Dirt Devil Dish Network Disney DLO Dorcy DPI Inc.

<https://www.ipilot.com/images/command-and-conquer-4-manual.pdf>

SEARS CRAFTSMAN 9.0 H.P. SNOW THROWER MODEL 247.888510

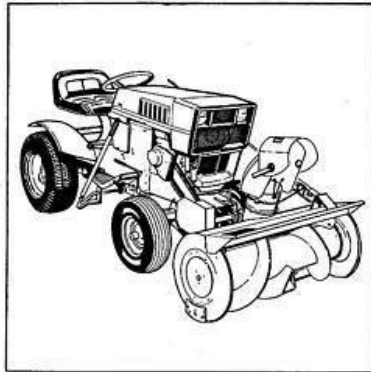


Dremel DUER Tools Duerr Dunkirk Dunlap Durabrand Duracell Duro Dyson EA Games EA SPORTS EACA EAGAMES Eager Beaver ECLIPSE EcoWater Ekstrom Carlson and Com Electro Brand ElectroBrand Electrolux Elite Screens Emerson EMI Energizer Enterprise Co Epson ESA Eumig Eureka Expressions EXTECH Instruments Fiesta Fisch Fisher Fisher And Paykel FoleyBelsaw Ford Foredom Electric Co. Foster Manufacturing Foster Supplies Fox Machine Co FreeMotion FremantleMedia FriedRich Frigidaire Fujifilm Galaxy Gallmeyer And Livingston Co GE GemStar Generac General Electric General Manufacturing Genisys Gibson Go Video GOETTL Goldstar GPX Grand Hall Great Outdoors Greenlee Brothers Griffin Gusdorf Gustafson And Scott H. B. Smith Machine Co Haier Hakko Hall and Brown Halo Hamilton Beach Hammond Machine Harman Kardon HealthRider Hebert Manufacturing Co. Heil Henry L. Beach Henry Power Tools Herberts Machinery Co. Heston and Anderson HewlettPackard Hitachi Homestead Honda HoneyWell Hoover Horizon Fitness Hotpoint HP HUMAX HumminBird Hunter Husky Husqvarna Hypro IBM Ideal Metal Products Image Imagistics International Inc. Imperial Infinity InFocus IngerSoll Rand Insignia Instep International Comfort Products International Harvester Ion IRobot Irvington J and H Metal Products

J. C. Penney J. D. Wallace J. E. Snyder J.A Fay Egan Jade Jamo Janome JBL Jeep Jefferson Machine Tool Jenkins Machine Co JennAir Jensen JET John Deere John S. Oram Barrel Machines John Towsley Jones Superior Machine Jos Poitras and Son Josiah Ross Manufacturing JVC Katun KEF Kelvinator Kenmore Kenwood KEYS Keystone Kicker KindtCollins Co KingSeeley KitchenAid KLIPSCH Kobalt Kodak KOHLER KONAMI Konica Konica Minolta KOSS Kuster Mfg KY L Power and Company Lamar Lane Mfg Lawn Champ Lawn Chief Lennox Lewis Machine Tool Lewis T.

<https://www.acnovate.com/images/command-and-conquer-covert-operations-manual.pdf>

**Sears**  
owners  
manual



MODEL NO  
842.260052

**42" SNOW THROWER  
ATTACHMENT**

**CAUTION:**  
Read Rules for  
Safe Operation  
and Instructions  
Carefully

- **Set-up**
- **Operation**
- **Maintenance**
- **Repair Parts**

Sears, Roebuck and Co., Chicago, Ill. 60684 U.S.A.  
and Simpsons Sears Limited, Toronto

11589 (11.1.78)

PRINTED IN U.S.A.



Kline Lexmark LG Linksys LiteOn Logitech MacKissic Magic Chef Magix Magna Engineering Magnavox Makita Marantz Master MasterCut MasterForce Mattel Mattison Machine Works Maytag McCulloch McLane Mead Specialties Co Memorex MercedesBenz MeterMan Microsoft Miele Millbury Machine Co. PalmGren PanaSonic Parks woodworking Machine Partington Inc Patriot Payne Peerless Pennco Penncraft Philips Pioneer Pioneer Manufacturingtool related Pitney Bowes Polaroid Polk Audio PortaTools Porter Cable Poulan Power King Tool Power Tools Inc PowerMatic Machine Co PowrKraft Premier Mounts Prima Prima america Prima Games ProForm ProScan Protron Psyclone Pye Quasar R. A. Ness R. D. Eaglesfield Rally RangeMaster Rayovac RCA RED OCTANE INC. Red Star Products RedOctane Reebok Remington Richard London Kelley Riello Rinnai Rivet ROC Rockwell Rodgers Production Machinery Roland Roper ROWA Royersford Foundry Machine RYOBI S.A. Woods Salton Saltrom Carving Machine Co. SAMSUNG Samuel J. Shimer and Sons Sansui Sanus Sanyo SARKES TARZIAN INC. Savin Sears SEKONIC Seneca Falls Manufacturing Sharp Sherwood SHINDAIWA ShopKing ShopMaster Sibley And Ware Sidney Tool Co. Siemens Silver Manufacturing Sima Simplicity Singer SKIL Smith Corona Smithway Machine Co Snapper Solem Machine Co SonicBlue Sony South Bend Lathe Works Speck Speed Queen SpeedEPart Spiegel Inc. Spirit of Saint Louis Sprunger Brothers Stamina State Manufacturing STIHL SUN MICROSYSTEMS COMPUTER CORP. SUNBEAM SuperScan Swisher Sylvania Symantec Corporation Take 2 Tannewitz Works Tappan Targus Task Force TechCraft Technics TechView TECUMSEH Tektronix Tenn. Acme Machine Co TERK Texas Instruments TGE The Ant CommandosTAC Thermador Thor Power Tool THX Ltd. Timex TINY LOVE Tivo ToastMaster Tomlee

ToolKraft Tops Toro Toshiba Toyota Trane Trevor TroyBilt TrueValue UBISOFT Uniden Universal unknown Valve VAX Venturer Verge Vermont American Viking VillaWare Vinotemp Virgin Mobile Vivitar Vizio W. B. and J. E. Boice W.F. John Barnes Co.

Wagner WalkerTurner WARNER BROTHERS WAXMAN Weber WeedEater Weider WELBILT Welch And Chipman Wen Power Weslo West Bend Western Auto Western Digital Westinghouse Whirlpool White White Outdoor WhiteRogers Williams WintAir Wood Turning Machine Co WUSTOFTrident exact communication Xerox Xitel Yamaha YardMan YatesAmerican Machine Yuba Power Product Inc Zline Zenith. Auger PropelledRead and follow all. Page 2 Table of Contents 2 Service and Adjustments 1215. Warranty 2 Storage 16. Safety Rules. 24 Troubleshooting 17. Contents of Shipping.SNOW THROWER before operating machine. Never directPage 10 SNOW THROWING TIPS WET PACKED SNOW. Page 11 CUSTOMER RESPONSIBILITIESThe carburetor on this snow thrower is not. Screws to be. Brake PadPage 17 TROUBLE CAUSE CORRECTION. Difficult starting Defective spark plug Replace defectiv3 plug. Engine stalls Unit running on CHOKE Move choke lever.Page 25 CRAFTSMAN 2CYCLE ENGINE MODEL NUMBER 143.995071. IMPORTANT Safety standards require operator presence controls to minimize the risk of injury. Your snow thrower is equipped with such controls. Page 4 After striking a foreign 15.Vibration is generally a warning of trouble. 7. Page 5 IMPORTANT Many of the following symbols are located on your unit or on literature supplied with the product. Before you operate the unit, learn and understand the purpose for each symbol. Keep Bystanders Away. DANGER Thrown Objects. Keep Bystanders Away. IMPORTANT Read Owners Manual Before Operating This Machine. DANGER Avoid injury From Rotating Auger. Keep Hands, Feet And Clothing Away. Compare the illustrations with your SNOW THROWER to familiarize yourself with the location of various controls and adjustments. Save this manual for future reference. Chute Deflector Recoil Starter Handle Discharge Chute Control Primer Button Figure 3 Auger Drive Lever Starts and stops the auger. Ignition Lever Must be moved to the on position to start the engine.

<https://www.avenueroadadvertising.com/wp-content/plugins/formcraft/file-upload/server/content/files/162878db6d008c---Calculadora-hp-48g-manual.pdf>

Page 10 The operation of any snow thrower can result in foreign objects being thrown into the eyes, which can result in severe eye damage. Always wear safety glasses or eye shields while operating the snow thrower. Page 11 FILL OIL NOTE Engine may already contain some residual oil. Check frequently when filling the crankcase. DO NOT overfill. The snow thrower was shipped with a container of 5W30 motor oil. Always use caution ARNING Gasoline is flamwhen handling or storing gasoline. Do not fill fuel tank while snow thrower is running, when it is hot, or when snow thrower is in an enclosed area. Keep away from open flame or an electrical spark and do not smoke while filling the fuel tank. Never fill the tank completely. Always fill fuel tank outdoors and use a funnel or spout to prevent spilling. Page 13 WARM START Also move throttle control, choke control, and starter handle several times. If the engine fails to start, follow the Cold Start instructions.Engine exhaust contains CARBON MONOXIDE, AN ODORLESS AND DEADLY GAS. Keep hands, feet, hair and loose clothing away from any moving parts on engine and snow thrower. Page 14 crushed rock driveways. Move the handle down to slightly raise the auger. 9. The forward speed of the snow thrower is dependent on the depth and weight of the snow. Experience will establish the most effective method of using the snow thrower under different conditions.Page 15 CUSTOMER RESPONSIBILITIES SERVICE RECORDS Fill in dates as you complete regular service. Page 16 A HOW TO REMOVE THE TOP COVER B There are no adjustments under the top cover. If removal is required, follow the steps below. C Top Cover C 1. Remove screws A that attach the md support clamp the the top cover. Page 17 ENGINE LUBRICATION Check the crankcase oil level before starting the engine and after each five 5 hours of continuous use. Bee Figure 11. Add S.A.E. 5W30 motor oil as needed. The auger drive cable was adjusted at the factory.

If the auger will not engage or disengage correctly. Adjust the auger drive cable as follows 1. Loosen the nut that holds the cable tension spring See Figure 14. 2. Page 19 HOW TO ADJUST THE AUGER BRAKE The auger brake is adjusted at the factory to assure safe operation of the snowthrower. If the auger brake needs an adjustment, follow the steps below Adjuster Nut 1. To access the auger brake, tilt the front of the unit up. 2. Make sure the auger drive belt is properly installed. If the auger drive belt is damaged, the snowthrower will not discharge snow and will not move forward. Replace the damaged belt as follows 1. Disconnect the spark plug wire. 2. Remove the belt cover. For assistance, a diagram decal is provided. 4. Page 21 HOW TO REMOVE THE AUGER 8. Slide the auger out of the right side of the auger housing See Figure 22. 1. Remove the belt cover. Slide the auger out of the bearing on the left side of the auger housing. 10. To install the auger, reverse the above steps. 3. Page 22 TO ADJUST THE CARBURETOR The carburetor is not adjustable. Engine performance should not be affected at altitudes up to 7,000 feet. For operation at higher elevations, contact your nearest Sears Store. IMPORTANT Never tamper with the engine governor, which is factory set for proper engine speed. Overspeeding the engine above the factory high speed setting can be dangerous. If gasoline remains in the tank, fumes may reach an open flame, spark or pilot light from a furnace, water heater, clothes dryer, cigarette, etc. NOTE To prevent engine damage if snow thrower is not used for more than 30 days follow the steps below. SNOW 1. To remove gasoline, run the engine until the fuel tank is empty and the engine stops. 2. Page 24 TROUBLE CAUSE CORRECTION Difficult starting Defective spark plug. Replace spark plug. Water or dirt in fuel system. Use carburetor bowl drain to flush and refill with fresh fuel.

Engine runs erratic Blocked fuel line, empty gas tank, or stale gasoline, Clean fuel line; check fuel supply; add fresh gasoline Engine stalls Unit running on CHOKE. Set choke lever to run or off, position. Engine runs erratic; Loss of power Water or dirt in fuel system. Get what you need, when you need it. Email Show Hide Password Log In Forgot Password. Check to see if you are within this store's delivery area. Free delivery offer excludes same day delivery. Participation and delivery area vary by store. For many people it also means ice and snow removal. If you're looking to make quick work of clearing snow from the driveway or walkway, pick up a new snow blower from Ace. Snow blowers will save you time and energy when tackling the winter's toughest weather. At Ace you will find a variety of snow throwers, including models from Husqvarna and Toro. Whether you are clearing your sidewalk or an extralong driveway, we offer a range of snow throwing capacities and clearing widths, so you'll be sure to find the right model for your needs. Many of our snow throwers also include special features such as ergonomic handles, lights and electric start options. When choosing a snow blower, you will need to decide between electric and gas snow blowers. An electric blower usually weighs less than a gas model and is ideal for light snow in smaller areas such as a walkway, patio or small to medium driveway. If you plan to clear mostly narrow paths like stairways and porches, electric shovels are ideal because of their streamlined size and maneuverability. If you decide to purchase an electric model, it is important to remember that you will need to have access to an outlet and outdoor extension cord. For the removal of heavy snow, large areas or frequent use, a gas snow blower is your best choice. The gas snow blower provides more power than the electric blower and can tackle large spaces and thick, icy snow. Gas blowers are available in single and two-stage options.

Single stage will break up the snow and push it to the side of the path you are clearing, while a two-stage model will break up the snow and then actually blow the snow up and out of your path. This winter, pick up a snow thrower from Ace and spend less time outside in the cold and more time inside staying warm. For more information, check out our snow blower guide. Need help Call 18662905334 Email SignUp Be the first to hear about special offers, events, popular new items and helpful home improvement tips. Ranked by J.D. Power, Rated by our Customers. Ace Hardware and the Ace Hardware logo are registered trademarks of Ace Hardware Corporation. All rights reserved. Prices and availability of products and services are subject to change without notice. Your local Ace

Handyman Need a different Location Contact Info Project Location Project Info Schedule Your contact information Next Where will the work be done. State Alabama Alaska Arizona Arkansas California Colorado Connecticut Delaware District Of Columbia Florida Georgia Hawaii Idaho Illinois Indiana Iowa Kansas Kentucky Louisiana Maine Maryland Massachusetts Michigan Minnesota Mississippi Missouri Montana Nebraska Nevada New Hampshire New Jersey New Mexico New York North Carolina North Dakota Ohio Oklahoma Oregon Pennsylvania Rhode Island South Carolina South Dakota Tennessee Texas Utah Vermont Virginia Washington West Virginia Wisconsin Wyoming Back Next Tell us about your project Back Next Choose a few times that work best for you 1 2 3 Scheduling your project is easy. Rest assured, we'll call to confirm. Please select date to proceed. Morning 8am-12pm Afternoon 12pm-5pm Next Continue without selecting times Back Next Submit We're sorry, there isn't an Ace Handyman Services in your area yet. Thank you! We'll reach out to you shortly to discuss your project and answer any questions you may have. Close Find a Pro! Back Please enter a Zip Code. Handyman Service is currently not available in your area.

Using the online preview, you can quickly view the contents and go to the page where you will find the solution to your problem with Craftsman Snow Blower 88780. To start viewing the user manual Craftsman Snow Blower 88780 on full screen, use the button Fullscreen. However, if you do not want to take up too much of your disk space, you can always download it in the future from ManualsBase. The option to print the manual has also been provided, and you can use it by clicking the link above Print the manual. You do not have to print the entire manual Craftsman Snow Blower 88780 but the selected pages only. paper. If you want to quickly view the content of pages found on the following pages of the manual, you can use them. Something went wrong. Learn more opens in a new window or tab This amount is subject to change until you make payment. For additional information, see the Global Shipping Program terms and conditions opens in a new window or tab This amount is subject to change until you make payment. If you reside in an EU member state besides UK, import VAT on this purchase is not recoverable. For additional information, see the Global Shipping Program terms and conditions opens in a new window or tab Delivery times may vary, especially during peak periods. Learn more opens in a new window or tab Learn more opens in a new window or tab Learn more opens in a new window or tab Learn more opens in a new window or tab Learn more opens in a new window or tab Cover has no visible wear, and the dust jacket if May be very minimal identifying marks on the inside cover. Very minimal wear and tear. See the seller's listing for full details and description of any imperfections. Contact the seller opens in a new window or tab and request a postage method to your location. Please enter a valid postcode. Please enter a number less than or equal to 1. If you don't follow our item condition policy for returns, you may not receive a full refund.

Refunds by law In Australia, consumers have a legal right to obtain a refund from a business if the goods purchased are faulty, not fit for purpose or don't match the seller's description. More information at returns. All Rights Reserved. User Agreement, Privacy, Cookies and AdChoice Norton Secured powered by Verisign. They only list parts by part number. But this machine uses MTD belts and you can get them at searspartsdirect.com or your local mower shop can order them through MTD. Remember to rate this answer if it helped. Login to post The link is Craftsman 536 886190 26 Inch Snow Blower Owners Manual. I am going to put you towards a video. By which. You will find a multitude of sears opportunities to view for your understanding at this link. These days. We all like to watch and see before we do. Follow. Craftsman Murray Snow Blower Belt and Friction Wheel Replacement There is so much other content to choose from on the side bars; I even became levitating. Fare. Well. If you remove the cover usually plastic in the middle of the snow thrower and look at the belts. If you don't have a copy you can get the manual through managemyhome.com It is usually located on the bottom right hand corner of the frame from the handle side More than that the belt has stretched and needs to be replaced. I know Snow Blowers. Please remember to rate this answer! Deck Lawn Tractor . Answer questions, earn points and help others.